

RAHMENHALTER ÜBERSICHT

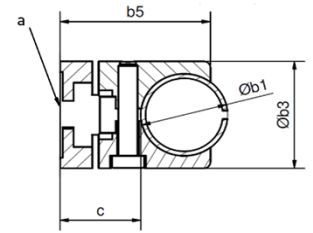
FRAME HOLDER OVERVIEW

Einzelteil Rahmenhalter für runde Profile

Standalone frameholders for round profiles

Artikelnummer part number	a	b1	b2	b3	b4	b5	c
CX3-40213	für M8	Ø21,3	--	Ø28,0	--	41,0	25 ±2
CX3-40269	für M8	Ø26,9	--	Ø35,0	--	44,5	25 ±2

Material 1.4401 | Material AISI 316 - Oberfläche geschliffen K240 | surface polished K240



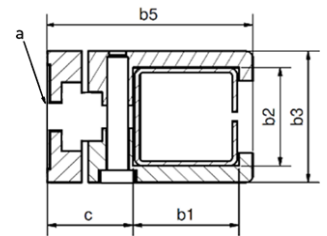
Einzelteil Rahmenhalter für quadratische Profile

Standalone frameholders for square profiles

Artikelnummer part number	a	b1	b2	b3	b4*	b5	c
CX3-42020	für M8	20,0	20,0	30,0	25,0	47,5	25 ±2
CX3-43030	für M8	30,0	30,0	40,0	30,0	58,0	25 ±2

Material 1.4401 | Material AISI 316 - Oberfläche geschliffen K240 | surface polished K240

*Höhe | height



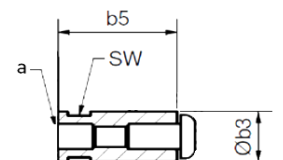
Einzelteil Rahmenhalter Innenmontage

Standalone Invisible Holders

Artikelnummer part number	a	b3	b5	SW
CX3-32027	M6	Ø12,0	27,0	10
CX3-33040*	M8	Ø15,0	40,0	13

Material 1.4401 | Material AISI 316 - Oberfläche geschliffen K240 | surface polished K240

*passend für XT3 und XT4 | suitable for XT3 and XT4

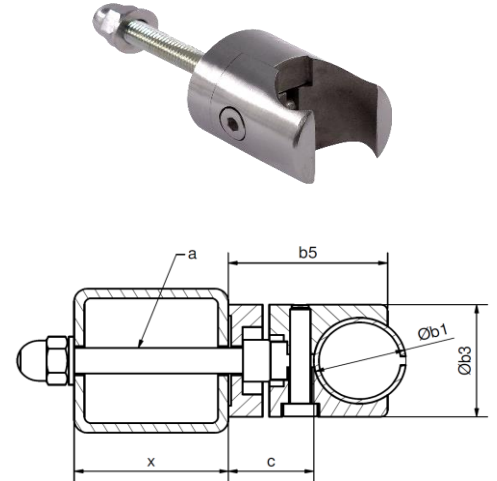


RAHMENHALTER RUNDROHR - ANBINDUNG AN FLACHES PROFIL
FRAME HOLDER ROUND PROFILE - CONNECTION TO FLAT PROFILE

Einzelanbindung | Single connection

Artikelnummer <i>part number</i>	a	b1	b2	b3	b4	b5	c	x
CX3-40213-EF5	M8	Ø21,3	--	Ø28,0	--	41,0	25 ±2	4 - 8
CX3-40213-EF10	M8	Ø21,3	--	Ø28,0	--	41,0	25 ±2	9 - 13
CX3-40213-EF15	M8	Ø21,3	--	Ø28,0	--	41,0	25 ±2	14 - 18
CX3-40213-EF20	M8	Ø21,3	--	Ø28,0	--	41,0	25 ±2	19 - 23
CX3-40213-EF25	M8	Ø21,3	--	Ø28,0	--	41,0	25 ±2	24 - 28
CX3-40213-EF30	M8	Ø21,3	--	Ø28,0	--	41,0	25 ±2	29 - 33
CX3-40213-EF35	M8	Ø21,3	--	Ø28,0	--	41,0	25 ±2	34 - 38
CX3-40213-EF40	M8	Ø21,3	--	Ø28,0	--	41,0	25 ±2	39 - 43
CX3-40213-EF45	M8	Ø21,3	--	Ø28,0	--	41,0	25 ±2	44 - 48
CX3-40213-EF50	M8	Ø21,3	--	Ø28,0	--	41,0	25 ±2	49 - 53
CX3-40269-EF5	M8	Ø26,9	--	Ø35,0	--	44,5	25 ±2	4 - 8
CX3-40269-EF10	M8	Ø26,9	--	Ø35,0	--	44,5	25 ±2	9 - 13
CX3-40269-EF15	M8	Ø26,9	--	Ø35,0	--	44,5	25 ±2	14 - 18
CX3-40269-EF20	M8	Ø26,9	--	Ø35,0	--	44,5	25 ±2	19 - 23
CX3-40269-EF25	M8	Ø26,9	--	Ø35,0	--	44,5	25 ±2	24 - 28
CX3-40269-EF30	M8	Ø26,9	--	Ø35,0	--	44,5	25 ±2	29 - 33
CX3-40269-EF35	M8	Ø26,9	--	Ø35,0	--	44,5	25 ±2	34 - 38
CX3-40269-EF40	M8	Ø26,9	--	Ø35,0	--	44,5	25 ±2	39 - 43
CX3-40269-EF45	M8	Ø26,9	--	Ø35,0	--	44,5	25 ±2	44 - 48
CX3-40269-EF50	M8	Ø26,9	--	Ø35,0	--	44,5	25 ±2	49 - 53

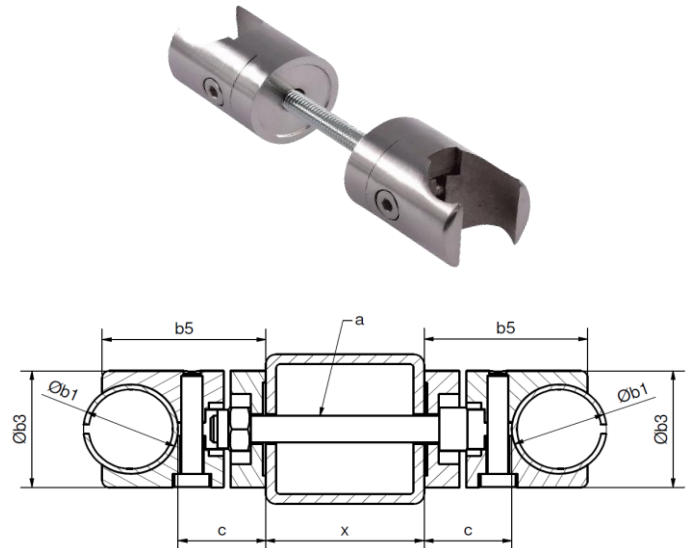
Material 1.4401 | Material AISI 316 - Oberfläche geschliffen K240 | surface polished K240
Set bestehend aus Rahmenhalter, Zylinderkopfschraube mit Innensechskant, Unterlegscheibe und Hutmutter
Set consisting of frame holder, socket head screw with hexagon socket, washer and dome nut



Doppelanbindung | Double connection

Artikelnummer <i>part number</i>	a	b1	b2	b3	b4	b5	c	x
CX3-40213-DF5	M8	Ø21,3	--	Ø28,0	--	41,0	25 ±2	4 - 8
CX3-40213-DF10	M8	Ø21,3	--	Ø28,0	--	41,0	25 ±2	9 - 13
CX3-40213-DF15	M8	Ø21,3	--	Ø28,0	--	41,0	25 ±2	14 - 18
CX3-40213-DF20	M8	Ø21,3	--	Ø28,0	--	41,0	25 ±2	19 - 23
CX3-40213-DF25	M8	Ø21,3	--	Ø28,0	--	41,0	25 ±2	24 - 28
CX3-40213-DF30	M8	Ø21,3	--	Ø28,0	--	41,0	25 ±2	29 - 33
CX3-40213-DF35	M8	Ø21,3	--	Ø28,0	--	41,0	25 ±2	34 - 38
CX3-40213-DF40	M8	Ø21,3	--	Ø28,0	--	41,0	25 ±2	39 - 43
CX3-40213-DF45	M8	Ø21,3	--	Ø28,0	--	41,0	25 ±2	44 - 48
CX3-40213-DF50	M8	Ø21,3	--	Ø28,0	--	41,0	25 ±2	49 - 53
CX3-40269-DF5	M8	Ø26,9	--	Ø35,0	--	44,5	25 ±2	4 - 8
CX3-40269-DF10	M8	Ø26,9	--	Ø35,0	--	44,5	25 ±2	9 - 13
CX3-40269-DF15	M8	Ø26,9	--	Ø35,0	--	44,5	25 ±2	14 - 18
CX3-40269-DF20	M8	Ø26,9	--	Ø35,0	--	44,5	25 ±2	19 - 23
CX3-40269-DF25	M8	Ø26,9	--	Ø35,0	--	44,5	25 ±2	24 - 28
CX3-40269-DF30	M8	Ø26,9	--	Ø35,0	--	44,5	25 ±2	29 - 33
CX3-40269-DF35	M8	Ø26,9	--	Ø35,0	--	44,5	25 ±2	34 - 38
CX3-40269-DF40	M8	Ø26,9	--	Ø35,0	--	44,5	25 ±2	39 - 43
CX3-40269-DF45	M8	Ø26,9	--	Ø35,0	--	44,5	25 ±2	44 - 48
CX3-40269-DF50	M8	Ø26,9	--	Ø35,0	--	44,5	25 ±2	49 - 53

Material 1.4401 | Material AISI 316 - Oberfläche geschliffen K240 | surface polished K240
Set bestehend aus Rahmenhalter, Zylinderkopfschraube mit Innensechskant und Mutter
Set consisting of frame holders, socket head screw with hexagon socket and nut



RAHMENHALTER ROHR-UMFASSEND

FRAME HOLDER TUBE-EMBRACING

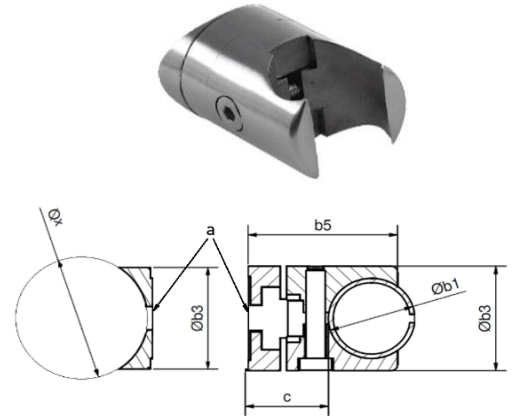
RAHMENHALTER RUNDROHR - ANBINDUNG AN RUNDNES PROFIL

FRAME HOLDER ROUND PROFILE - CONNECTION TO ROUND PROFILE

Einzelteil | Standalone

Artikelnummer <i>part number</i>	a	b1	b2	b3	b4	b5	c	x
CX3-40213 & CX3-40213-337	für M8	Ø21,3	--	Ø28,0	--	41,0	25 ±2	33,7
CX3-40213 & CX3-40213-424	für M8	Ø21,3	--	Ø28,0	--	41,0	25 ±2	42,4
CX3-40269 & CX3-40269-424	für M8	Ø26,9	--	Ø35,0	--	44,5	25 ±2	42,4

Material 1.4401 | *Material AISI 316* - Oberfläche geschliffen K240 | *surface polished K240*

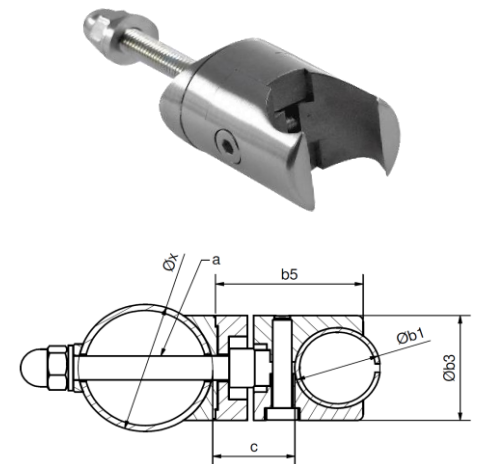


Einzelanbindung | Single connection

Artikelnummer <i>part number</i>	a	b1	b2	b3	b4	b5	c	x
CX3-40213-ED337	M8	Ø21,3	--	Ø28,0	--	41,0	25 ±2	33,7
CX3-40213-ED424	M8	Ø21,3	--	Ø28,0	--	41,0	25 ±2	42,4
CX3-40269-ED424	M8	Ø26,9	--	Ø35,0	--	44,5	25 ±2	42,4

Material 1.4401 | *Material AISI 316* - Oberfläche geschliffen K240 | *surface polished K240*

Set bestehend aus Rahmenhalter, Formanschlüsse, Zylinderkopfschraube mit Innensechskant, Unterlegscheibe und Hutmutter
Set consisting of frame holder, angle stand off washers, socket head screw with hexagon socket, washer and dome nut

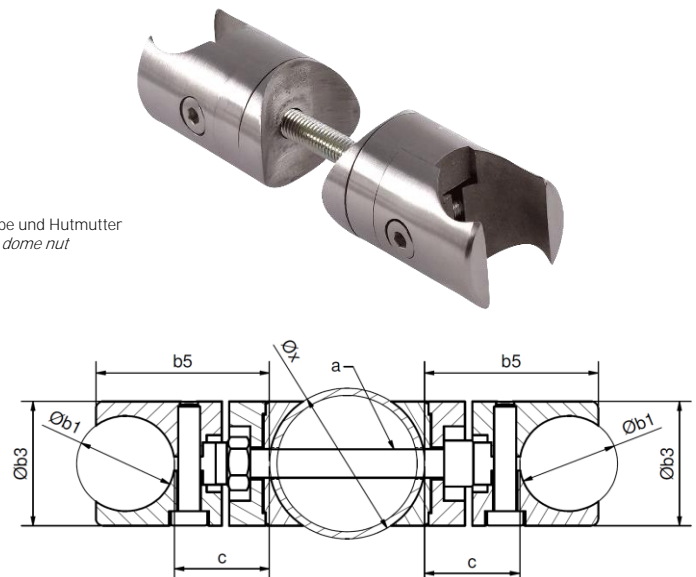


Doppelanbindung | Double connection

Artikelnummer <i>part number</i>	a	b1	b2	b3	b4	b5	c	x
CX3-40213-DD337	M8	Ø21,3	--	Ø28,0	--	41,0	25 ±2	33,7
CX3-40213-DD424	M8	Ø21,3	--	Ø28,0	--	41,0	25 ±2	42,4
CX3-40269-DD424	M8	Ø26,9	--	Ø35,0	--	44,5	25 ±2	42,4

Material 1.4401 | *Material AISI 316* - Oberfläche geschliffen K240 | *surface polished K240*

Set bestehend aus Rahmenhalter, Formanschlüsse, Zylinderkopfschraube mit Innensechskant, Unterlegscheibe und Hutmutter
Set consisting of frame holders, angle stand off washers, socket head screw with hexagon socket, washer and dome nut

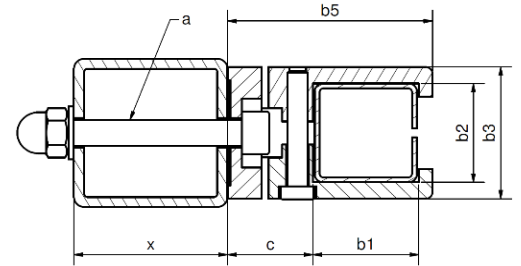


RAHMENHALTER RECHTECKROHR - ANBINDUNG AN FLACHES PROFIL
FRAME HOLDER RECTANGULAR PROFILE - CONNECTION TO FLAT PROFILE

Einzelanbindung | Single connection

Artikelnummer <i>part number</i>	a	b1	b2	b3	b4	b5	c	x
CX3-42020-EF5	M8	20,0	20,0	25,0	30,0	47,5	25 ±2	4 - 8
CX3-42020-EF10	M8	20,0	20,0	25,0	30,0	47,5	25 ±2	9 - 13
CX3-42020-EF15	M8	20,0	20,0	25,0	30,0	47,5	25 ±2	14 - 18
CX3-42020-EF20	M8	20,0	20,0	25,0	30,0	47,5	25 ±2	19 - 23
CX3-42020-EF25	M8	20,0	20,0	25,0	30,0	47,5	25 ±2	24 - 28
CX3-42020-EF30	M8	20,0	20,0	25,0	30,0	47,5	25 ±2	29 - 33
CX3-42020-EF35	M8	20,0	20,0	25,0	30,0	47,5	25 ±2	34 - 38
CX3-42020-EF40	M8	20,0	20,0	25,0	30,0	47,5	25 ±2	39 - 43
CX3-42020-EF45	M8	20,0	20,0	25,0	30,0	47,5	25 ±2	44 - 48
CX3-42020-EF50	M8	20,0	20,0	25,0	30,0	47,5	25 ±2	49 - 53
CX3-43030-EF5	M8	30,0	30,0	30,0	40,0	58,0	25 ±2	4 - 8
CX3-43030-EF10	M8	30,0	30,0	30,0	40,0	58,0	25 ±2	9 - 13
CX3-43030-EF15	M8	30,0	30,0	30,0	40,0	58,0	25 ±2	14 - 18
CX3-43030-EF20	M8	30,0	30,0	30,0	40,0	58,0	25 ±2	19 - 23
CX3-43030-EF25	M8	30,0	30,0	30,0	40,0	58,0	25 ±2	24 - 28
CX3-43030-EF30	M8	30,0	30,0	30,0	40,0	58,0	25 ±2	29 - 33
CX3-43030-EF35	M8	30,0	30,0	30,0	40,0	58,0	25 ±2	34 - 38
CX3-43030-EF40	M8	30,0	30,0	30,0	40,0	58,0	25 ±2	39 - 43
CX3-43030-EF45	M8	30,0	30,0	30,0	40,0	58,0	25 ±2	44 - 48
CX3-43030-EF50	M8	30,0	30,0	30,0	40,0	58,0	25 ±2	49 - 53

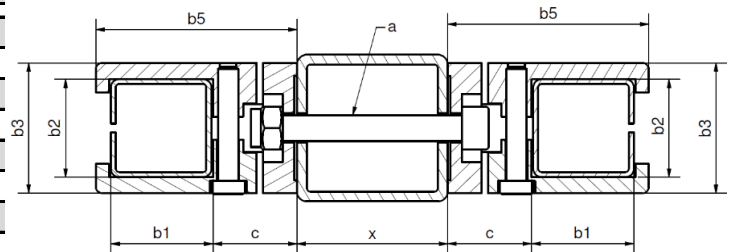
Material 1.4401 | *Material AISI 316* - Oberfläche geschliffen K240 | *surface polished K240*
 Set bestehend aus Rahmenhalter, Zylinderkopfschraube mit Innensechskant, Unterlegscheibe und Hutmutter
Set consisting of frame holder, socket head screw with hexagon socket, washer and dome nut



Doppelanbindung | Double connection

Artikelnummer <i>part number</i>	a	b1	b2	b3	b4	b5	c	x
CX3-42020-DF5	M8	20,0	20,0	25,0	30,0	47,5	25 ±2	4 - 8
CX3-42020-DF10	M8	20,0	20,0	25,0	30,0	47,5	25 ±2	9 - 13
CX3-42020-DF15	M8	20,0	20,0	25,0	30,0	47,5	25 ±2	14 - 18
CX3-42020-DF20	M8	20,0	20,0	25,0	30,0	47,5	25 ±2	19 - 23
CX3-42020-DF25	M8	20,0	20,0	25,0	30,0	47,5	25 ±2	24 - 28
CX3-42020-DF30	M8	20,0	20,0	25,0	30,0	47,5	25 ±2	29 - 33
CX3-42020-DF35	M8	20,0	20,0	25,0	30,0	47,5	25 ±2	34 - 38
CX3-42020-DF40	M8	20,0	20,0	25,0	30,0	47,5	25 ±2	39 - 43
CX3-42020-DF45	M8	20,0	20,0	25,0	30,0	47,5	25 ±2	44 - 48
CX3-42020-DF50	M8	20,0	20,0	25,0	30,0	47,5	25 ±2	49 - 53
CX3-43030-DF5	M8	30,0	30,0	30,0	40,0	58,0	25 ±2	4 - 8
CX3-43030-DF10	M8	30,0	30,0	30,0	40,0	58,0	25 ±2	9 - 13
CX3-43030-DF15	M8	30,0	30,0	30,0	40,0	58,0	25 ±2	14 - 18
CX3-43030-DF20	M8	30,0	30,0	30,0	40,0	58,0	25 ±2	19 - 23
CX3-43030-DF25	M8	30,0	30,0	30,0	40,0	58,0	25 ±2	24 - 28
CX3-43030-DF30	M8	30,0	30,0	30,0	40,0	58,0	25 ±2	29 - 33
CX3-43030-DF35	M8	30,0	30,0	30,0	40,0	58,0	25 ±2	34 - 38
CX3-43030-DF40	M8	30,0	30,0	30,0	40,0	58,0	25 ±2	39 - 43
CX3-43030-DF45	M8	30,0	30,0	30,0	40,0	58,0	25 ±2	44 - 48
CX3-43030-DF50	M8	30,0	30,0	30,0	40,0	58,0	25 ±2	49 - 53

Material 1.4401 | *Material AISI 316* - Oberfläche geschliffen K240 | *surface polished K240*
 Set bestehend aus Rahmenhalter, Zylinderkopfschraube mit Innensechskant und Mutter
Set consisting of frame holders, socket head screw with hexagon socket and nut



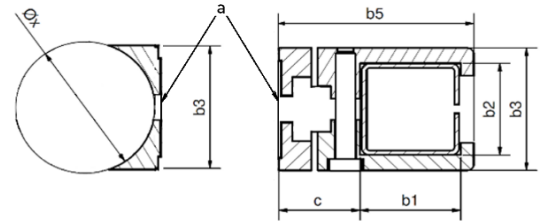
RAHMENHALTER ROHR-UMFASSEND FRAME HOLDER TUBE-EMBRACING

RAHMENHALTER RECHTECKROHR - ANBINDUNG AN RUNDES PROFIL FRAME HOLDER RECTANGULAR PROFILE - CONNECTION TO ROUND PROFILE

Einzelteil | Standalone

Artikelnummer <i>part number</i>	a	b1	b2	b3	b4	b5	c	x
CX3-42020 & CX3-42020-337	für M8	20,0	20,0	25,0	30,0	47,5	25 ±2	33,7
CX3-42020 & CX3-42020-424	für M8	20,0	20,0	25,0	30,0	47,5	25 ±2	42,4
CX3-43030 & CX3-43030-424	für M8	30,0	30,0	30,0	40,0	58,0	25 ±2	42,4

Material 1.4401 | *Material AISI 316* - Oberfläche geschliffen K240 | *surface polished K240*

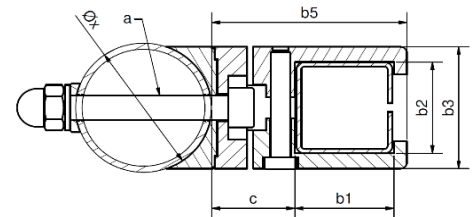


Einzelanbindung | Single connection

Artikelnummer <i>part number</i>	a	b1	b2	b3	b4	b5	c	x
CX3-42020-ED337	M8	20,0	20,0	25,0	30,0	47,5	25 ±2	33,7
CX3-42020-ED424	M8	20,0	20,0	25,0	30,0	47,5	25 ±2	42,4
CX3-43030-ED424	M8	30,0	30,0	30,0	40,0	58,0	25 ±2	42,4

Material 1.4401 | *Material AISI 316* - Oberfläche geschliffen K240 | *surface polished K240*

Set bestehend aus Rahmenhalter, Formanschlüsse, Zylinderkopfschraube mit Innensechskant, Unterlegscheibe und Hutmutter
Set consisting of frame holder, angle stand off washers, socket head screw with hexagon socket, washer and dome nut

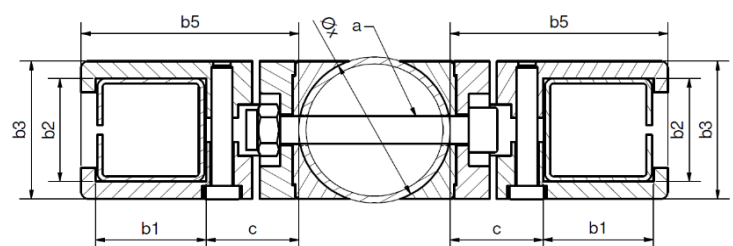


Doppelanbindung | Double connection

Artikelnummer <i>part number</i>	a	b1	b2	b3	b4	b5	c	x
CX3-42020-DD337	M8	20,0	20,0	25,0	30,0	47,5	25 ±2	33,7
CX3-42020-DD424	M8	20,0	20,0	25,0	30,0	47,5	25 ±2	42,4
CX3-43030-DD424	M8	30,0	30,0	30,0	40,0	58,0	25 ±2	42,4

Material 1.4401 | *Material AISI 316* - Oberfläche geschliffen K240 | *surface polished K240*

Set bestehend aus Rahmenhalter, Formanschlüsse, Zylinderkopfschraube mit Innensechskant, Unterlegscheibe und Hutmutter
Set consisting of frame holders, angle stand off washers, socket head screw with hexagon socket, washer and dome nut

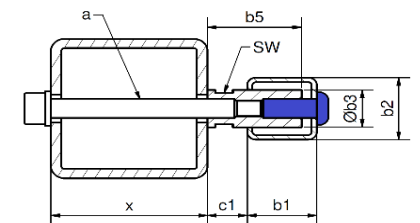
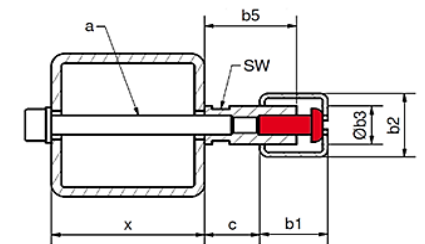
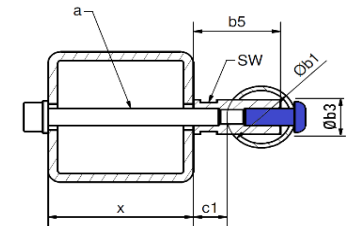
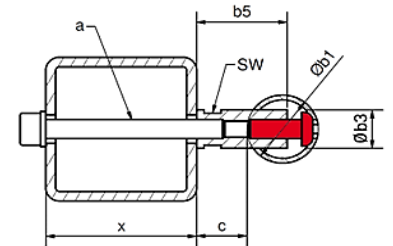


EINSTECKRAHMENHALTER - EINZELANBINDUNG AN FLACHES PROFIL

INVISIBLE HOLDER - SINGLE CONNECTION TO FLAT PROFILE

Einzelanbindung | Single connection

Artikelnummer <i>part number</i>	a	b1	b2	b3	b5	c	c1	x	SW
CX3-32027-EF5	M6	$\frac{\text{Ø}21,3}{20,0}$	--	Ø12,0	27,0	16 ±4	13 ±4	3 - 7	10
CX3-32027-EF10	M6	$\frac{\text{Ø}21,3}{20,0}$	--	Ø12,0	27,0	16 ±4	13 ±4	8 - 12	10
CX3-32027-EF15	M6	$\frac{\text{Ø}21,3}{20,0}$	--	Ø12,0	27,0	16 ±4	13 ±4	13 - 17	10
CX3-32027-EF20	M6	$\frac{\text{Ø}21,3}{20,0}$	--	Ø12,0	27,0	16 ±4	13 ±4	18 - 22	10
CX3-32027-EF25	M6	$\frac{\text{Ø}21,3}{20,0}$	--	Ø12,0	27,0	16 ±4	13 ±4	23 - 27	10
CX3-32027-EF30	M6	$\frac{\text{Ø}21,3}{20,0}$	--	Ø12,0	27,0	16 ±4	13 ±4	28 - 32	10
CX3-32027-EF35	M6	$\frac{\text{Ø}21,3}{20,0}$	--	Ø12,0	27,0	16 ±4	13 ±4	33 - 37	10
CX3-32027-EF40	M6	$\frac{\text{Ø}21,3}{20,0}$	--	Ø12,0	27,0	16 ±4	13 ±4	38 - 42	10
CX3-32027-EF45	M6	$\frac{\text{Ø}21,3}{20,0}$	--	Ø12,0	27,0	16 ±4	13 ±4	43 - 47	10
CX3-32027-EF50	M6	$\frac{\text{Ø}21,3}{20,0}$	--	Ø12,0	27,0	16 ±4	13 ±4	48 - 52	10
CX3-33040-EF5	M8	$\frac{\text{Ø}26,9}{30,0}$	--	Ø15,0	40,0	26 ±9	22 ±9	3 - 7	13
CX3-33040-EF10	M8	$\frac{\text{Ø}26,9}{30,0}$	--	Ø15,0	40,0	26 ±9	22 ±9	8 - 12	13
CX3-33040-EF15	M8	$\frac{\text{Ø}26,9}{30,0}$	--	Ø15,0	40,0	26 ±9	22 ±9	13 - 17	13
CX3-33040-EF20	M8	$\frac{\text{Ø}26,9}{30,0}$	--	Ø15,0	40,0	26 ±9	22 ±9	18 - 22	13
CX3-33040-EF25	M8	$\frac{\text{Ø}26,9}{30,0}$	--	Ø15,0	40,0	26 ±9	22 ±9	23 - 27	13
CX3-33040-EF30	M8	$\frac{\text{Ø}26,9}{30,0}$	--	Ø15,0	40,0	26 ±9	22 ±9	28 - 32	13
CX3-33040-EF35	M8	$\frac{\text{Ø}26,9}{30,0}$	--	Ø15,0	40,0	26 ±9	22 ±9	33 - 37	13
CX3-33040-EF40	M8	$\frac{\text{Ø}26,9}{30,0}$	--	Ø15,0	40,0	26 ±9	22 ±9	38 - 42	13
CX3-33040-EF45	M8	$\frac{\text{Ø}26,9}{30,0}$	--	Ø15,0	40,0	26 ±9	22 ±9	43 - 47	13
CX3-33040-EF50	M8	$\frac{\text{Ø}26,9}{30,0}$	--	Ø15,0	40,0	26 ±9	22 ±9	48 - 52	13



Material 1.4401 | *Material AISI 316* - Oberfläche geschliffen K240 | *surface polished K240*

Set bestehend aus Rahmenhalter (passend für runde und rechteckige Profile), Zylinderkopfschraube mit Innensechskant und Unterlegscheibe
 Set consisting of frame holder (suitable for round and rectangular frame profile dimensions), socket head screw with hexagon socket and washer

Montageunterschiede siehe Seite 18
 /differences in assembly also see page 18

RAHMENHALTER INNENMONTAGE XT3

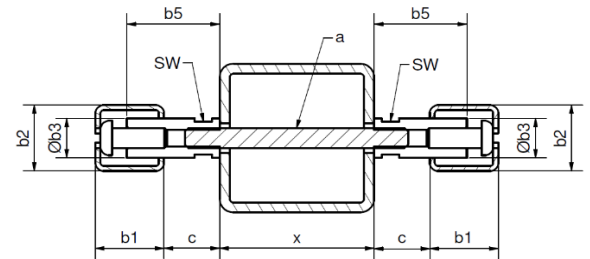
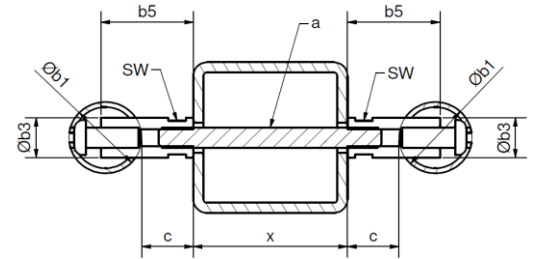
FRAME HOLDER INVISIBLE XT3

EINSTECKKRAHMENHALTER - DOPPELANBINDUNG AN FLACHES PROFIL

INVISIBLE HOLDER - DOUBLE CONNECTION TO FLAT PROFILE

Doppelanbindung | Double connection

Artikelnummer <i>part number</i>	a	b1	b2	b3	b5	c	c1	x	SW
CX3-32027-DF5	M6	$\frac{\text{Ø}21,3}{20,0}$	--	Ø12,0	27,0	16 ±4	13 ±4	5 - 9	10
CX3-32027-DF10	M6	$\frac{\text{Ø}21,3}{20,0}$	--	Ø12,0	27,0	16 ±4	13 ±4	10 - 14	10
CX3-32027-DF15	M6	$\frac{\text{Ø}21,3}{20,0}$	--	Ø12,0	27,0	16 ±4	13 ±4	15 - 19	10
CX3-32027-DF20	M6	$\frac{\text{Ø}21,3}{20,0}$	--	Ø12,0	27,0	16 ±4	13 ±4	20 - 24	10
CX3-32027-DF25	M6	$\frac{\text{Ø}21,3}{20,0}$	--	Ø12,0	27,0	16 ±4	13 ±4	25 - 29	10
CX3-32027-DF30	M6	$\frac{\text{Ø}21,3}{20,0}$	--	Ø12,0	27,0	16 ±4	13 ±4	30 - 34	10
CX3-32027-DF35	M6	$\frac{\text{Ø}21,3}{20,0}$	--	Ø12,0	27,0	16 ±4	13 ±4	35 - 39	10
CX3-32027-DF40	M6	$\frac{\text{Ø}21,3}{20,0}$	--	Ø12,0	27,0	16 ±4	13 ±4	40 - 44	10
CX3-32027-DF45	M6	$\frac{\text{Ø}21,3}{20,0}$	--	Ø12,0	27,0	16 ±4	13 ±4	45 - 49	10
CX3-32027-DF50	M6	$\frac{\text{Ø}21,3}{20,0}$	--	Ø12,0	27,0	16 ±4	13 ±4	50 - 54	10
CX3-33040-DF5	M8	$\frac{\text{Ø}26,9}{30,0}$	--	Ø15,0	40,0	26 ±9	22 ±9	5 - 9	13
CX3-33040-DF10	M8	$\frac{\text{Ø}26,9}{30,0}$	--	Ø15,0	40,0	26 ±9	22 ±9	10 - 14	13
CX3-33040-DF15	M8	$\frac{\text{Ø}26,9}{30,0}$	--	Ø15,0	40,0	26 ±9	22 ±9	15 - 19	13
CX3-33040-DF20	M8	$\frac{\text{Ø}26,9}{30,0}$	--	Ø15,0	40,0	26 ±9	22 ±9	20 - 24	13
CX3-33040-DF25	M8	$\frac{\text{Ø}26,9}{30,0}$	--	Ø15,0	40,0	26 ±9	22 ±9	25 - 29	13
CX3-33040-DF30	M8	$\frac{\text{Ø}26,9}{30,0}$	--	Ø15,0	40,0	26 ±9	22 ±9	30 - 34	13
CX3-33040-DF35	M8	$\frac{\text{Ø}26,9}{30,0}$	--	Ø15,0	40,0	26 ±9	22 ±9	35 - 39	13
CX3-33040-DF40	M8	$\frac{\text{Ø}26,9}{30,0}$	--	Ø15,0	40,0	26 ±9	22 ±9	40 - 44	13
CX3-33040-DF45	M8	$\frac{\text{Ø}26,9}{30,0}$	--	Ø15,0	40,0	26 ±9	22 ±9	45 - 49	13
CX3-33040-DF50	M8	$\frac{\text{Ø}26,9}{30,0}$	--	Ø15,0	40,0	26 ±9	22 ±9	50 - 54	13



Material 1.4401 | *Material AISI 316* - Oberfläche geschliffen K240 | *surface polished K240*
 Set bestehend aus Rahmenhalter (passend für runde und rechteckige Profile) und Gewindestift mit Innensechskant
 Set consisting of frame holders (suitable for round and rectangular frame profile dimensions) and threaded rod with hexagon socket

RAHMENHALTER INNENMONTAGE XT3

FRAME HOLDER INVISIBLE XT3

EINSTECKKRAHMENHALTER - ANBINDUNG AN RUNDES PROFIL

INVISIBLE HOLDER - CONNECTION TO ROUND PROFILE

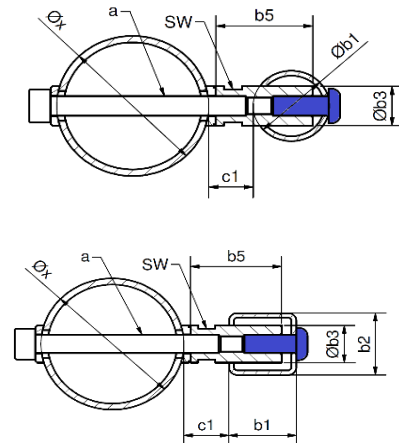
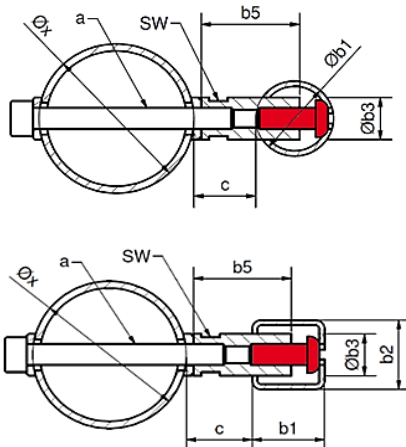
Einzelanbindung | Single connection

Artikelnummer part number	a	b1	b2	b3	b5	c	c1	x	SW
CX3-32027-ED337	M6	$\frac{\text{Ø}21,3}{20,0}$	-- 20,0	Ø12,0	27,0	18 ±4	15 ±4	33,7	10
CX3-32027-ED424	M6	$\frac{\text{Ø}21,3}{20,0}$	-- 20,0	Ø12,0	27,0	18 ±4	15 ±4	42,4	10
CX3-33040-ED337	M8	$\frac{\text{Ø}26,9}{30,0}$	-- 30,0	Ø15,0	40,0	28 ±9	24 ±9	33,7	13
CX3-33040-ED424	M8	$\frac{\text{Ø}26,9}{30,0}$	-- 30,0	Ø15,0	40,0	28 ±9	24 ±9	42,4	13

Material 1.4401 | Material AISI 316 - Oberfläche geschliffen K240 | surface polished K240

Set bestehend aus Rahmenhalter (passend für runde und rechteckige Profile), Formanschlüsse und Zylinderkopfschraube mit Innensechskant

Set consisting of frame holder (suitable for round and rectangular frame profile dimensions), angle stand off washers, socket head screw with hexagon socket and washer



Montageunterschiede siehe Seite 18 / differences in assembly also see page 18

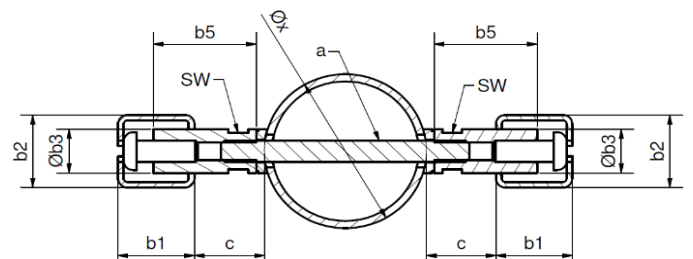
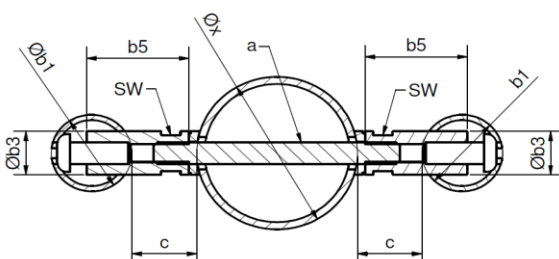
Doppelanbindung | Double connection

Artikelnummer part number	a	b1	b2	b3	b5	c	c1	x	SW
CX3-32027-DD337	M6	$\frac{\text{Ø}21,3}{20,0}$	-- 20,0	Ø12,0	27,0	18 ±4	15 ±4	33,7	10
CX3-32027-DD424	M6	$\frac{\text{Ø}21,3}{20,0}$	-- 20,0	Ø12,0	27,0	18 ±4	15 ±4	42,4	10
CX3-33040-DD337	M8	$\frac{\text{Ø}26,9}{30,0}$	-- 30,0	Ø15,0	40,0	28 ±9	24 ±9	33,7	13
CX3-33040-DD424	M8	$\frac{\text{Ø}26,9}{30,0}$	-- 30,0	Ø15,0	40,0	28 ±9	24 ±9	42,4	13

Material 1.4401 | Material AISI 316 - Oberfläche geschliffen K240 | surface polished K240

Set bestehend aus Rahmenhalter (passend für runde und rechteckige Profile), Formanschlüsse und Gewindestift mit Innensechskant

Set consisting of frame holders (suitable for round and rectangular frame profile dimensions), angle stand off washers and threaded rod



RAHMENHALTER U-BÜGEL

FRAME HOLDER U-BRACKET

RAHMENHALTER XT2 SET1

FRAME HOLDER XT2 SET 1

Artikelnummer <i>part number</i>	Set bestehend aus Einzelteilen <i>Set consisting of parts</i>	Material <i>material</i>
CX001001	1 - 7	1.4401 / AISI316

RAHMENHALTER XT2 SET2

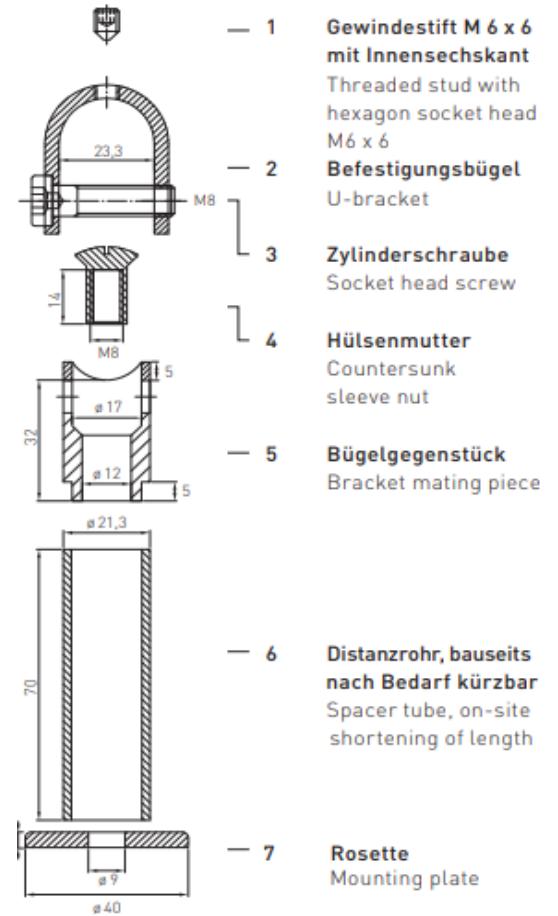
FRAME HOLDER XT2 SET 2

Artikelnummer <i>part number</i>	Set bestehend aus Einzelteilen <i>Set consisting of parts</i>	Material <i>material</i>
CX001002	1 - 5	1.4401 / AISI316

RAHMENHALTER XT2 SET 3

FRAME HOLDER XT2 SET 3

Artikelnummer <i>part number</i>	Set bestehend aus Einzelteilen <i>Set consisting of parts</i>	Material <i>material</i>
CX001003	1 - 3	1.4401 / AISI316



CX001001



CX001002



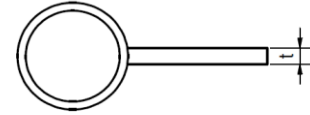
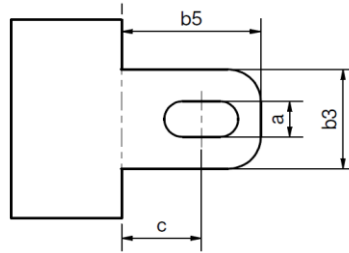
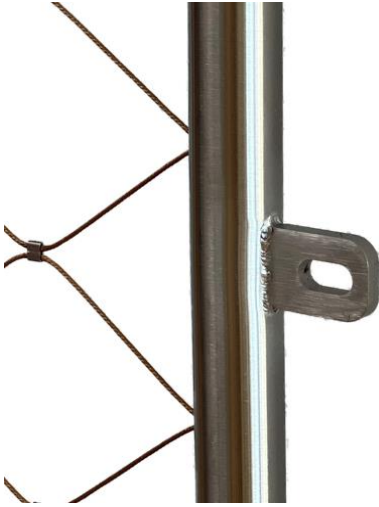
CX001003

SONDERBEFESTIGUNGEN XT2/XT3

SPECIAL FIXATIONS XT2/XT3

ANSCHWEISSLASCHE

WELDED TONGUES

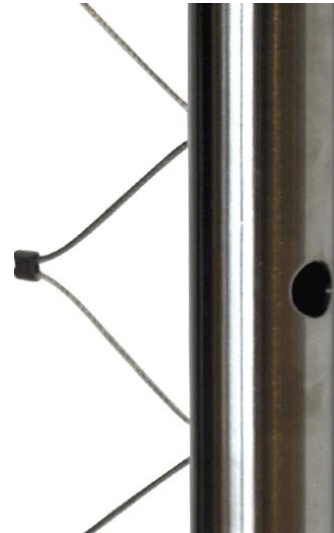


Artikelnummer part number	a	b3	b5	c	t
CX3-80601	für M8	25,0	34,5	20	6,0

Material 1.4401 | Material AISI 316 - Oberfläche geschliffen K240 | surface polished K240

BOHRUNGEN

BOREHOLES



Bohrungen, gefast Boreholes, chamfered	Ø6 - 20 mm
---	------------

FLIESSGEWINDE

FLOW DRILL THREADS



Fließgewinde Flow drill threads	M6 - M10
------------------------------------	----------

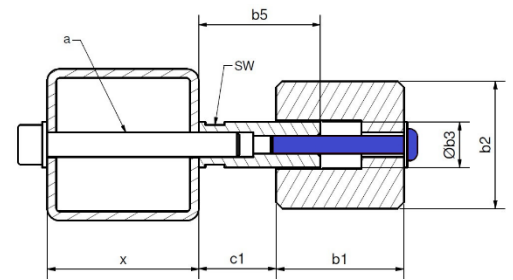
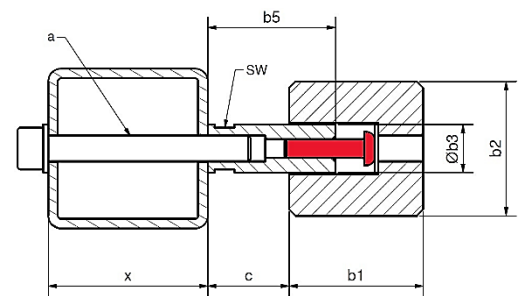
Da individuell wählbar, bei Bedarf im Einzelfall nachzuweisen | As individually selectable, to be statically clarified for the individual case, if necessary

EINSTECKRAHMENHALTER - EINZELANBINDUNG AN FLACHES PROFIL

INVISIBLE HOLDER - SINGLE CONNECTION TO FLAT PROFILE

Einzelanbindung | Single connection

Artikelnummer <i>part number</i>	a	b1	b2	b3	b5	c	c1	x	SW
CX4-33040-EF5	M8	42	42	Ø15,0	40,0	25 ±9	--	3 - 7	13
CX4-33040-EF10	M8	42	42	Ø15,0	40,0	25 ±9	--	8 - 12	13
CX4-33040-EF15	M8	42	42	Ø15,0	40,0	25 ±9	--	13 - 17	13
CX4-33040-EF20	M8	42	42	Ø15,0	40,0	25 ±9	--	18 - 22	13
CX4-33040-EF25	M8	42	42	Ø15,0	40,0	25 ±9	--	23 - 27	13
CX4-33040-EF30	M8	42	42	Ø15,0	40,0	25 ±9	--	28 - 32	13
CX4-33040-EF35	M8	42	42	Ø15,0	40,0	25 ±9	--	33 - 37	13
CX4-33040-EF40	M8	42	42	Ø15,0	40,0	25 ±9	--	38 - 42	13
CX4-33040-EF45	M8	42	42	Ø15,0	40,0	25 ±9	--	43 - 47	13
CX4-33040-EF50	M8	42	42	Ø15,0	40,0	25 ±9	--	48 - 52	13
CX4-33040-EFZ5	M8	42	42	Ø15,0	40,0	--	25 ±9	3 - 7	13
CX4-33040-EFZ10	M8	42	42	Ø15,0	40,0	--	25 ±9	8 - 12	13
CX4-33040-EFZ15	M8	42	42	Ø15,0	40,0	--	25 ±9	13 - 17	13
CX4-33040-EFZ20	M8	42	42	Ø15,0	40,0	--	25 ±9	18 - 22	13
CX4-33040-EFZ25	M8	42	42	Ø15,0	40,0	--	25 ±9	23 - 27	13
CX4-33040-EFZ30	M8	42	42	Ø15,0	40,0	--	25 ±9	28 - 32	13
CX4-33040-EFZ35	M8	42	42	Ø15,0	40,0	--	25 ±9	33 - 37	13
CX4-33040-EFZ40	M8	42	42	Ø15,0	40,0	--	25 ±9	38 - 42	13
CX4-33040-EFZ45	M8	42	42	Ø15,0	40,0	--	25 ±9	43 - 47	13
CX4-33040-EFZ50	M8	42	42	Ø15,0	40,0	--	25 ±9	48 - 52	13



Montageunterschiede siehe Seite 18
/differences in assembly also see page 18

Material 1.4401 | *Material AISI 316* - Oberfläche geschliffen K240 | *surface polished K240*
Set bestehend aus Rahmenhalter, Zylinderkopfschraube mit Innensechskant und Unterlegscheiben
Set consisting of frame holder, socket head screw with hexagon socket and washers

RAHMENHALTER INNENMONTAGE XT4

FRAME HOLDER INVISIBLE XT4

EINSTECKKRAHMENHALTER - DOPPELANBINDUNG AN FLACHES PROFIL

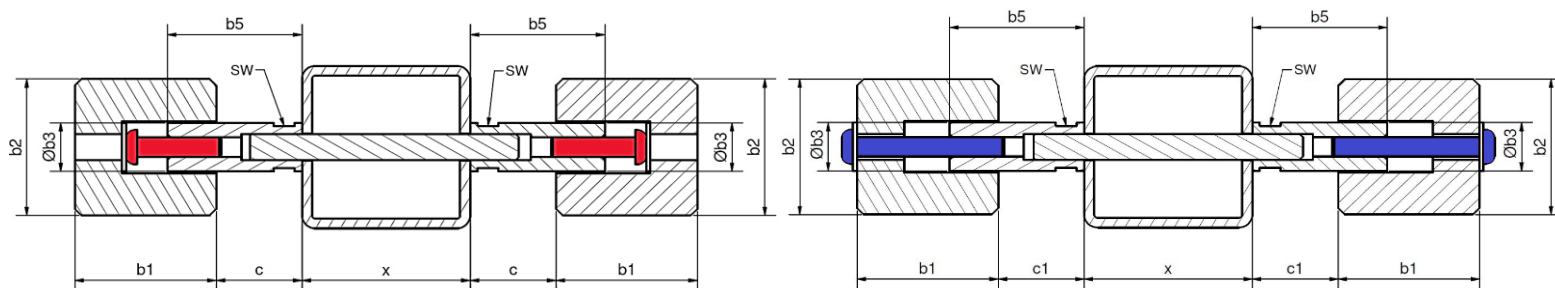
INVISIBLE HOLDER - DOUBLE CONNECTION TO FLAT PROFILE

Doppelanbindung | Double connection

Artikelnummer part number	a	b1	b2	b3	b5	c	c1	x	SW
CX4-33040-DF5	M8	42	42	Ø15,0	40,0	25 ±9	--	3 - 7	13
CX4-33040-DF10	M8	42	42	Ø15,0	40,0	25 ±9	--	8 - 12	13
CX4-33040-DF15	M8	42	42	Ø15,0	40,0	25 ±9	--	13 - 17	13
CX4-33040-DF20	M8	42	42	Ø15,0	40,0	25 ±9	--	18 - 22	13
CX4-33040-DF25	M8	42	42	Ø15,0	40,0	25 ±9	--	23 - 27	13
CX4-33040-DF30	M8	42	42	Ø15,0	40,0	25 ±9	--	28 - 32	13
CX4-33040-DF35	M8	42	42	Ø15,0	40,0	25 ±9	--	33 - 37	13
CX4-33040-DF40	M8	42	42	Ø15,0	40,0	25 ±9	--	38 - 42	13
CX4-33040-DF45	M8	42	42	Ø15,0	40,0	25 ±9	--	43 - 47	13
CX4-33040-DF50	M8	42	42	Ø15,0	40,0	25 ±9	--	48 - 52	13
CX4-33040-DFZ5	M8	42	42	Ø15,0	40,0	--	25 ±9	3 - 7	13
CX4-33040-DFZ10	M8	42	42	Ø15,0	40,0	--	25 ±9	8 - 12	13
CX4-33040-DFZ15	M8	42	42	Ø15,0	40,0	--	25 ±9	13 - 17	13
CX4-33040-DFZ20	M8	42	42	Ø15,0	40,0	--	25 ±9	18 - 22	13
CX4-33040-DFZ25	M8	42	42	Ø15,0	40,0	--	25 ±9	23 - 27	13
CX4-33040-DFZ30	M8	42	42	Ø15,0	40,0	--	25 ±9	28 - 32	13
CX4-33040-DFZ35	M8	42	42	Ø15,0	40,0	--	25 ±9	33 - 37	13
CX4-33040-DFZ40	M8	42	42	Ø15,0	40,0	--	25 ±9	38 - 42	13
CX4-33040-DFZ45	M8	42	42	Ø15,0	40,0	--	25 ±9	43 - 47	13
CX4-33040-DFZ50	M8	42	42	Ø15,0	40,0	--	25 ±9	48 - 52	13



Material 1.4401 | Material AISI 316 - Oberfläche geschliffen K240 | surface polished K240
 Set bestehend aus Rahmenhalter, Gewindestift mit Innensechskant und U-Scheiben
 Set consisting of frame holders, threaded rod with hexagon socket and washers



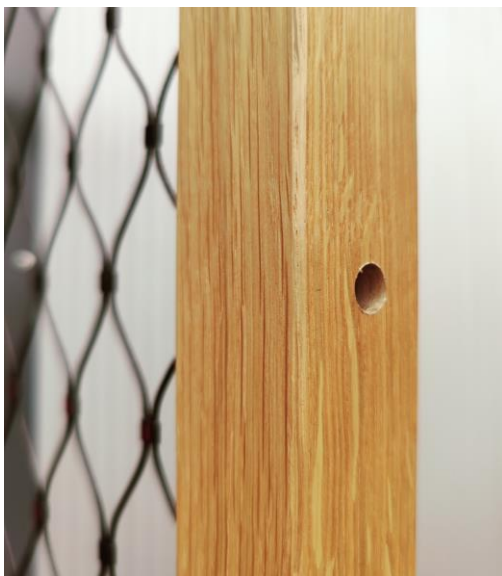
Montageunterschiede siehe Seite 18 / differences in assembly also see page 18

SONDERBEFESTIGUNGEN XT4

SPECIAL FIXATIONS XT4

BOHRUNGEN

BOREHOLES

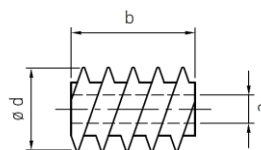
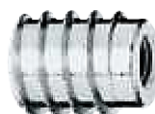


Bohrungen
Boreholes

Ø8 - 11 mm

GEWINDE-EINSCHRAUBMUFFEN

THREADED SCREW-IN-SLEEVES



Artikelnummer
part number

a

b

Ød

803-0800-04

M8

18

16

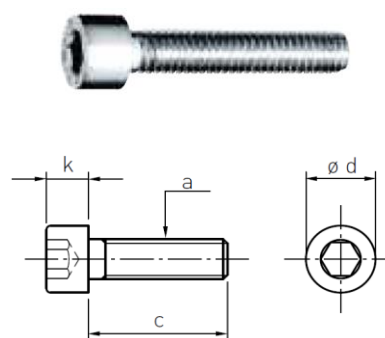
Gewinde-Einschraubmuffen lose beigelegt | *Threaded screw-in sleeves enclosed loose*

Da individuell wählbar, bei Bedarf im Einzelfall nachzuweisen | *As individually selectable, to be statically clarified for the individual case, if necessary*

ZYLINDERKOPFSCHRAUBE DIN 912
CYLINDER HEAD SCREW DIN 912

Artikelnummer <i>part number</i>	a	c	Ød	k	SW
CX3-56016	M6	16	10	6	5
CX3-56020	M6	20	10	6	5
CX3-56025	M6	25	10	6	5
CX3-56030	M6	30	10	6	5
CX3-56035	M6	35	10	6	5
CX3-56040	M6	40	10	6	5
CX3-56045	M6	45	10	6	5
CX3-56050	M6	50	10	6	5
CX3-56055	M6	55	10	6	5
CX3-56060	M6	60	10	6	5
CX3-56065	M6	65	10	6	5
CX3-58016	M8	16	13	8	6
CX3-58020	M8	20	13	8	6
CX3-58025	M8	25	13	8	6
CX3-58030	M8	30	13	8	6
CX3-58035	M8	35	13	8	6
CX3-58040	M8	40	13	8	6
CX3-58045	M8	45	13	8	6
CX3-58050	M8	50	13	8	6
CX3-58055	M8	55	13	8	6
CX3-58060	M8	60	13	8	6
CX3-58065	M8	65	13	8	6

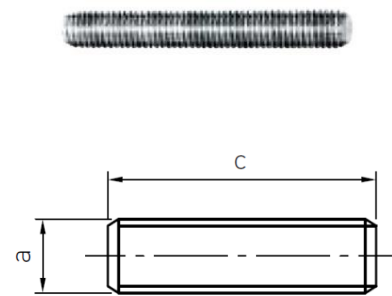
Material 1.4401 | Material AISI 316



GEWINDESTIFT MIT INNENSECHSKANT ISO 4026
THREADED ROD WITH INTERNAL HEXAGON ISO 4026

Artikelnummer <i>part number</i>	a	c	SW
CX3-66025	M6	25	3
CX3-66030	M6	30	3
CX3-66035	M6	35	3
CX3-66040	M6	40	3
CX3-66045	M6	45	3
CX3-66050	M6	50	3
CX3-66055	M6	55	3
CX3-66060	M6	60	3
CX3-66065	M6	65	3
CX3-66070	M6	70	3
CX3-68035	M8	35	4
CX3-68040	M8	40	4
CX3-68045	M8	45	4
CX3-68050	M8	50	4
CX3-68055	M8	55	4
CX3-68060	M8	60	4
CX3-68065	M8	65	4
CX3-68070	M8	70	4
CX3-68075	M8	75	4
CX3-68080	M8	80	4

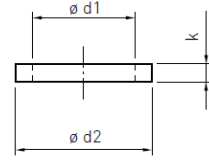
Material 1.4401 | *Material AISI 316*



U-SCHEIBE DIN EN ISO 7092
WASHER DIN EN ISO 7092

Artikelnummer part number	Ød1	Ød2	k
CX3-71006	6,4	11	1,8

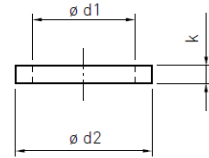
Material 1.4401 | Material AISI 316



U-SCHEIBE DIN 125-1 Form B
WASHER DIN 125-1 FORM B

Artikelnummer part number	Ød1	Ød2	k
CX3-71008	8,4	16	1,6

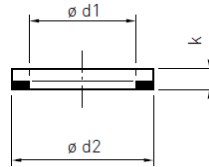
Material 1.4401 | Material AISI 316



U-SCHEIBE MIT DICHTUNG
WASHER WITH SEALING

Artikelnummer part number	Ød1	Ød2	k
CX3-71108	8,5	25	2,5

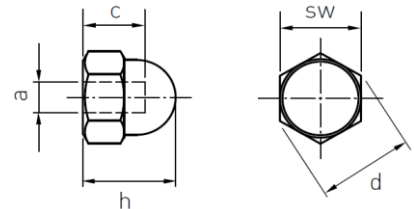
Material 1.4301 & EPDM | Material AISI 304 & EPDM



HUTMUTTER HOHE FORM DIN 1587
DOME NUT HIGH FORM DIN 1587

Artikelnummer part number	a	c	d	h	SW
CX3-72008	M8	11	14,4	15	13

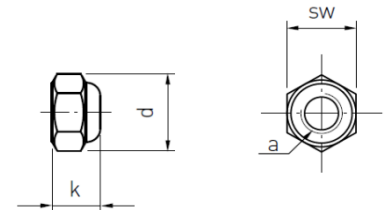
Material 1.4401 | Material AISI 316



SECHSKANTMUTTER SELBSTSICHERND DIN 982 ISO 7040
HEXAGON NUT SELF-LOCKING DIN 982 ISO 7040

Artikelnummer part number	a	d	k	SW
CX3-73008	M8	14,4	8	13

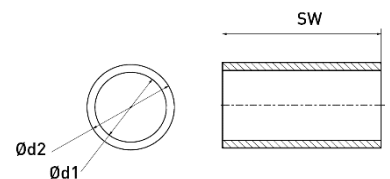
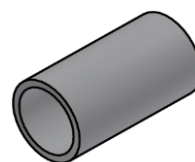
Material 1.4401 | Material AISI 316



DISTANZHÜLSEN
SPACING SLEEVES

Artikelnummer part number	c	Ød1	Ød2
CX3-78002	2,2	9	11
CX3-78020	20	9	11

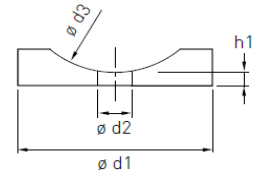
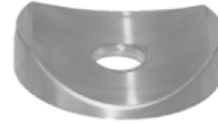
Material 1.4571 | Material AISI 316Ti



FORMANSCHLÜSSE
ANGLE STAND OFF WASHERS

Artikelnummer <i>part number</i>	Ød1	Ød2	Ød3	h1
CX3-00006-337	12	6,2	33,7	1,6
CX3-00006-424	12	6,2	42,4	1,6
CX3-00008-269	15	8,2	26,9	2,1
CX3-00008-337	15	8,2	33,7	2,1
CX3-00008-424	15	8,2	42,4	2,1

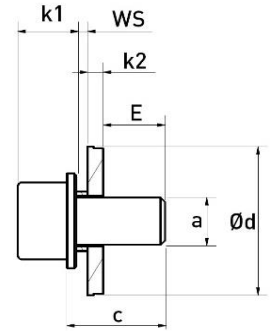
Material 1.4401 | *Material AISI 316*



SYSTEMANBINDUNG FENSTERSICHERUNG XT3 SYSTEM 1 - SCHLÜSSELLOCH LOSLAGER
SYSTEMCONNECTION WINDOW SAFETY XT3 SYSTEM 1 - KEY HOLE FLOATING BEARING

Artikelnummer <i>part number</i>	a	c	Ød	E	k1	k2	WS
CX3-FS11-16	M8	16	25	10	10	2,5	1,5 / 2,0
CX3-FS11-20	M8	20	25	14	10	2,5	1,5 / 2,0
CX3-FS11-25	M8	25	25	19	10	2,5	1,5 / 2,0

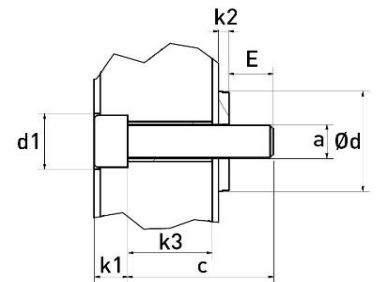
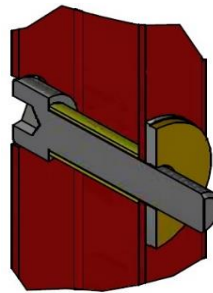
Material 1.4401 & 1.4571 & EPDM | *Material AISI 316 & AISI 316Ti & EPDM*
Set bestehend aus Zylinderkopfschraube, Distanzhülse, U-Scheibe und U-Scheibe mit Dichtung
Set consisting of socket head screw, spacing sleeve, washer and sealing washer



SYSTEMANBINDUNG FENSTERSICHERUNG XT3 SYSTEM 1 - SCHLÜSSELLOCH FESTLAGER
SYSTEMCONNECTION WINDOW SAFETY XT3 SYSTEM 1 - KEY HOLE FIXED BEARING

Artikelnummer <i>part number</i>	a	c	Ød	Ød1	E	k1	k2	k3
CX3-FS12-35	M8	35	25	15	10	8	2,5	20
CX3-FS12-40	M8	40	25	15	15	8	2,5	20
CX3-FS12-45	M8	45	25	15	20	8	2,5	20

Material 1.4401 & EPDM | *Material AISI 316 & EPDM*
Set bestehend aus Zylinderkopfschraube, Distanzhülse und U-Scheibe mit Dichtung
Set consisting of socket head screw, spacing sleeve and sealing washer

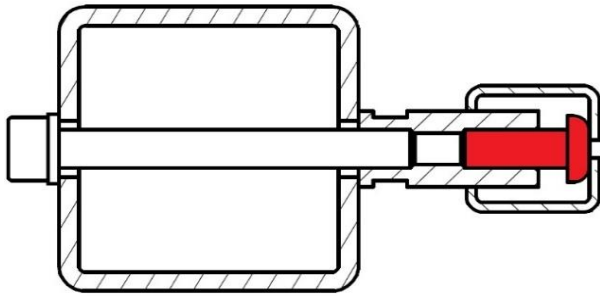


MONTAGEHINWEISE INVISIBLE HOLDER

ASSEMBLY INSTRUCTIONS INVISIBLE HOLDER

MONTAGEVARIANTE DRÜCKENDE MONTAGE

ASSEMBLY OPTION PUSHING ASSEMBLY



Funktionsweise / Eigenschaften
functionality / properties

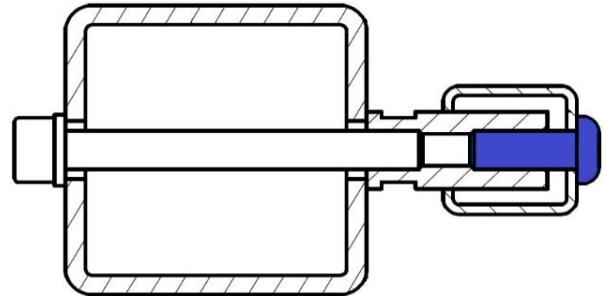
Der Rahmen wird zwischen zwei Profilen eingespannt
/the frame is clamped between two profiles

Die gegenüberliegende Seite nimmt die Druckkräfte auf
/the opposite side absorbs the compressive forces

Nicht geeignet für Schrägrahmen
/not suitable for angled frames

MONTAGEVARIANTE ZIEHENDE MONTAGE

ASSEMBLY OPTION PULLING ASSEMBLY

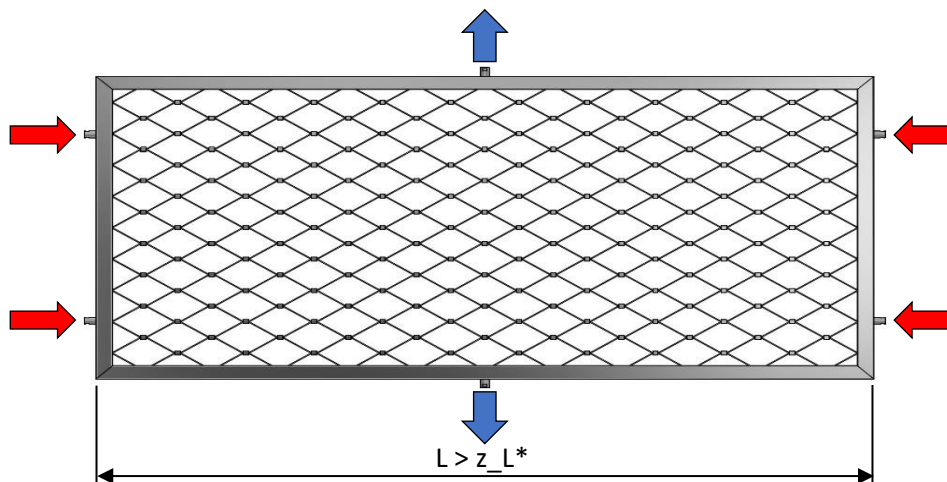
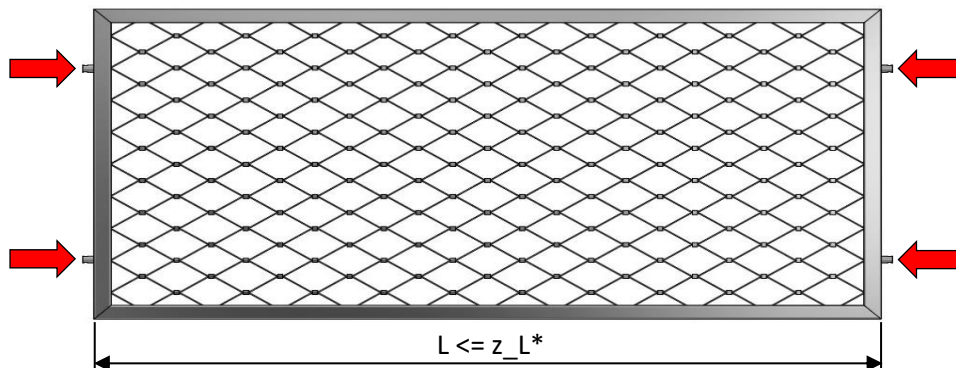


Funktionsweise / Eigenschaften
functionality / properties

Der Rahmen wird durch die Schraube nach außen gezogen
/the frame is pulled outwards by the screw

Die gegenüberliegende Seite nimmt die Zugkräfte auf
/the opposite side absorbs the tensile forces

Als Ersatz für einen dauerhaften Zwischenstab möglich
/as a substitute for a permanent intermediate rod



* z_{L^*} nach Datenblatt / z_{L^*} according to datasheet



Technische Änderungen und Fehlerkorrektur vorbehalten | *subject to technical changes and correction of errors*

© Carl Stahl ARC GmbH